

INSTALLATION INSTRUCTIONS

Wall & Ceiling Collection by Woodtone

Fineline – Traditional

Effective: June 2023

NOTICE:

- Prior to installation, product must be stored inside the building in which it will be installed for 5-7 days to ensure acclimatization.
- To ensure long term product performance, Wall and Ceiling profiles are not recommended for exterior siding applications and this type of application will not be covered by our warranty program.
- Before installing, inspect materials. Installation of product will be considered as final acceptance by Woodtone™. Installed product becomes the buyer's responsibility.

GENERAL INFORMATION:

Wall and Ceiling profiles are RealWood™ product designed for exterior (non-exposed) use for porch ceiling or soffit applications and for interior use on ceiling or wall paneling applications. Wall and Ceiling profiles are manufactured from knotty, high grade Western SPF, and coated within a controlled manufacturing environment. Not unlike other exterior building products, Wall and Ceiling profiles are natural materials and respond to the climate where they will be installed. Wood products can swell or shrink in order to reach the equilibrium moisture content of the surrounding air. Ensuring that Wall and Ceiling profiles have acclimatized and reached the equilibrium content of the surrounding environment prior to installation will help to minimize movement in the future.

STORAGE:

Wall and Ceiling profiles must always be protected from the elements; preferably stored in a warehouse or covered area. At the job site keep materials 6" off the ground, aligned on stringers and protected from the weather until used. It may be necessary to "stack and sticker" Wall and Ceiling for the product to reach the equilibrium moisture content. This process may take up to 7 days. Equilibrium moisture content will change based on seasonality and humidity conditions in your market.

Material wrap is slippery when wet or frozen. To prevent injury, do not allow workers to walk on bundles.

PRIOR TO INSTALLATION:

- Consult and follow all applicable local building codes.
- Wall and Ceiling must be kept free from any source of moisture. As with all wood products, do not apply Wall and Ceiling to a structure having excessive moisture conditions or over wet building materials during the building stage.
- Check the material for profile, color, and quality prior to installation.
- Do not install any defective material. Installation constitutes acceptance of the delivered material. Product installed becomes the buyer's responsibility.
- To ensure longevity, Wall and Ceiling must be installed following the instructions.
- Product Acclimatization – allow Wall and Ceiling to reach the equilibrium moisture content before installing.
- Installation in high humidity rooms is not recommended. Proper ventilation is required.

CUTTING:

Use a fine-tooth hand saw or power saw with a combination blade. The cutting action of the blade should be into the face of the material. Carbide-tipped blades are recommended. Seal all end cuts with an appropriate primer/paint. See Jobsite Success booklet for additional cutting and health/safety information.

FASTENING REQUIREMENTS:

When installing Wall and Ceiling, it is recommended that a reveal is left between the tongue and groove in order to compensate for potential expansion and contraction of the product. During installation, allow a minimum reveal of 1/16" (1.6mm) during high humidity conditions (16% or higher), or a minimum of 1/8" (3.2mm) during lower humidity periods (less than 16%).

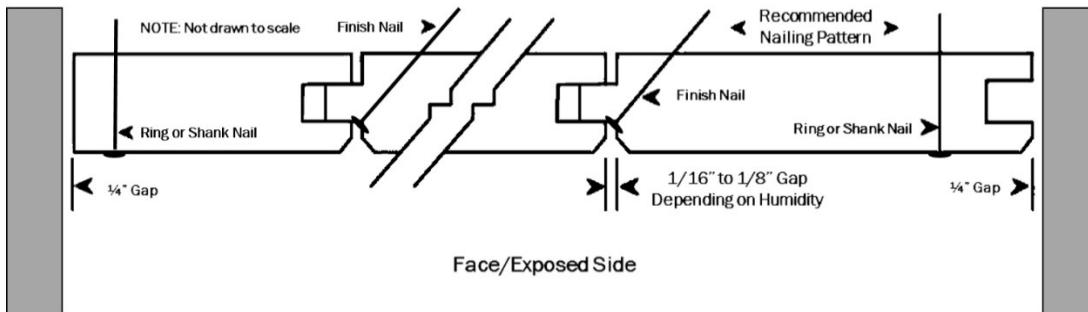
Allow a 1/4" (6.35mm) to allow for expansion in width, and a 1/8" (1.6mm) gap at the end of any lineal run.

Wall and Ceiling can be applied with either hand or power-driven nails or screws. It is recommended that the fastener be driven into the exposed face on the tongue side and started when the tongue and face intersect. The fastener should be countersunk so it does not restrict the adjoining piece. An additional fastener applied through the face—especially in regions of greater humidity fluctuations—will further reduce the potential for product movement.

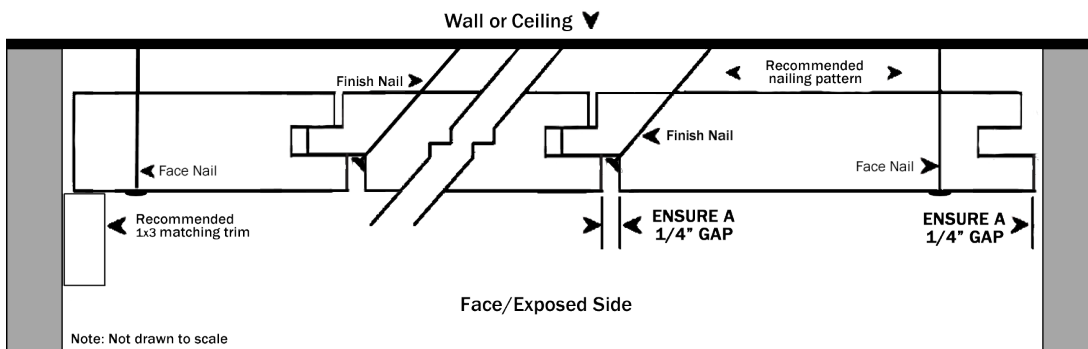
Nails should penetrate the framing member at least 1-1/2" (38.1mm), while screws at least 1" (25.4mm). Fasteners should be spaced up to, and including, 24" on center. Hot dipped galvanized or aluminum nails are recommended at 2-1/4" 7d for smooth nails and 2" 6d for ring or shank nails. 16-gauge brad nails are also approved.

See illustration below for spacing and nailing guidelines.

V-Groove Profile



Square-Edge Profile



FINISHING REQUIREMENTS:

Wall and Ceiling are generally supplied prefinished, however, if a finishing coat is required, apply an equal number of coats to all surfaces to equalize the loss or gain of moisture. Alkyd and latex coatings are designed to

breath, resulting in the transfer of moisture in or out of natural substrates. Coating will not seal moisture in or out completely; Follow paint manufactures guidelines and instructions for all coating applications.

GENERAL INFORMATION:

Paint performance is dependent upon the quality and quantity of paint applied, and the conditions under which it is applied. Low quality paint and/or thinly applied paint tend to last for a relatively short time, resulting in discoloration, premature fading, inadequate substrate protection, and frequent repainting – sometimes as often as every one or two years. Top quality paint, applied in sufficient quantity, will provide the best performance with the minimum maintenance. **Follow the coating manufacturer's recommendation when selecting and applying paint.**

SURFACE PREPARATION:

Prior to field paint, the surface must be free of dust, dirt, mildew and other foreign materials before painting. Washing with water and a mild detergent will usually remove dust and dirt. Allow the surface to dry before painting.

PAINT SELECTION:

For best results, use satin/semi-gloss or full-gloss acrylic latex or a satin/semi-gloss. Semi-gloss or full-gloss finishes tend to perform better than flat finishes. Note: Some systems may require the application of a designated primer and topcoat combination.

DO NOT USE THE FOLLOWING COATINGS:

- Shake and shingle paints
- Vinyl acrylic paint *
- Flat oil paint Vinyl acetate paint
- Vinyl acetate / co-polymer paint Clear Coatings

PAINT APPLICATION, IF SELECTED (ONSITE APPLICATION):

Always follow the paint manufacturer's recommendations for the application and maintenance of field-applied paints.

1. Prime and paint all field-cut edges of wood paneling using high quality exterior oil or acrylic latex primer formulated for wood, or a primer recommended by the paint manufacturer.
2. All exposed surfaces must be well coated. Inadequate coverage may result in paint failure or premature degradation of Wall and Ceiling
3. Unfinished Wall and Ceiling must be finished with paint within 60 days after installation. If, due to unforeseen circumstances, the material is not painted within 60 days, re-prime the panels using a primer that is specifically recommended for use on wood based products and is compatible with the topcoat to be used. Use the same primer for repair of any damage to the original factory applied primer.
4. A total field-applied dry film thickness of at least 2-1/2 mils is required on Wall and Ceiling for the duration of the warranty period.
5. Most coatings can be applied with brush, roller, pad or spray. The brush application method tends to apply the most paint per coat; spraying tends to apply the least per coat.
6. The Wall and Ceiling surface temperature must not be less than 50 degrees for 24 hours following the application of water-based paint. Paint performance problems can be avoided by not applying paint in the evenings of cool spring and fall days when heavy dew can form before the surface of the paint has thoroughly dried.

Woodtone is not responsible for the performance of field applied finishes. Finish performance is dependent upon coating quality and application methods which are factors controlled by the finish manufacturer and the applicator. If you require additional information, please contact Woodtone directly at 1-800-663-9844.