

# Hollowed Out and Loaded Up

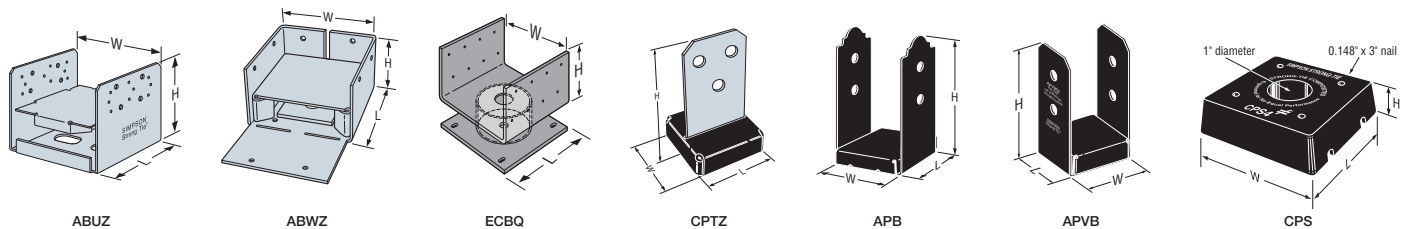


## Load-Rated Solutions for Securing RealPost™ and AbsolutePost™ Columns from Woodtone



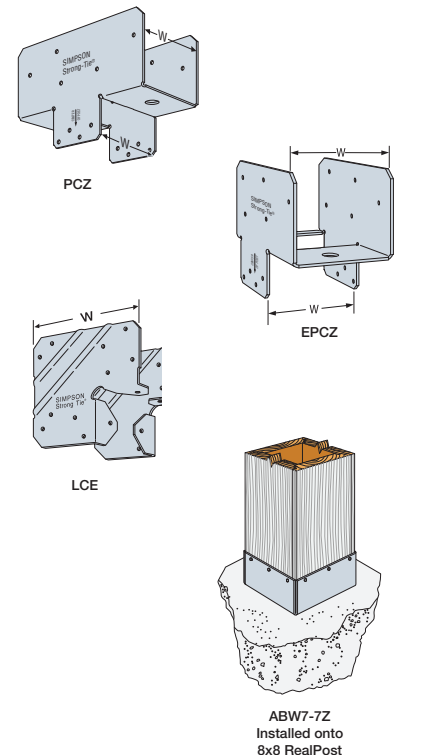
With the rising popularity of hollow columns in residential construction, Simpson Strong-Tie recently completed an extensive test program with Woodtone RealPost and AbsolutePost columns. Users of these hollow columns can transfer uplift and download with confidence, knowing the standard post bases and caps listed here have been fully evaluated and assigned load values for this type of column.

For more detailed allowable load information, reference pp. 1–2 for Woodtone RealPost and p. 3 for Woodtone AbsolutePost.



## Simpson Strong-Tie® Post Bases Tested with RealPost Columns from Woodtone

Model No.	Woodtone RealPost Size	Dimensions (in.)			Fasteners (in.)		Allowable Loads (lb.)	
		W	L	H	Anchor Dia.	Post	Uplift (160)	Download (100)
ABU44Z	4x4	3 <sup>3</sup> / <sub>16</sub>	3	5 <sup>1</sup> / <sub>2</sub>	5 <sup>8</sup> / <sub>16</sub>	(12) 0.162 x 3 <sup>1</sup> / <sub>2</sub>	1,290	6,665
ABW44Z		3 <sup>3</sup> / <sub>16</sub>	3 <sup>3</sup> / <sub>16</sub>	2 <sup>1</sup> / <sub>4</sub>	1 <sup>1</sup> / <sub>2</sub>	(8) 0.148 x 1 <sup>1</sup> / <sub>2</sub>	845	6,135
APB44		3 <sup>3</sup> / <sub>16</sub>	3	7	5 <sup>8</sup> / <sub>16</sub>	(4) SDWS22312DBB w/ STN	1,035	6,725
APVB44		3 <sup>3</sup> / <sub>16</sub>	3	7	5 <sup>8</sup> / <sub>16</sub>	(4) SDWS22312DBB w/ STN	1,035	6,725
CPT44Z		3 <sup>1</sup> / <sub>2</sub>	3 <sup>1</sup> / <sub>2</sub>	5 <sup>3</sup> / <sub>4</sub>	1 <sup>1</sup> / <sub>2</sub>	(3) 1 <sup>1</sup> / <sub>2</sub> x 2 <sup>3</sup> / <sub>4</sub> dowel	3,035	8,080
ABU66Z	6x6	5 <sup>1</sup> / <sub>2</sub>	5	6 <sup>1</sup> / <sub>16</sub>	5 <sup>8</sup> / <sub>16</sub>	(12) 0.162 x 3 <sup>1</sup> / <sub>2</sub>	1,950	12,000
ABW66Z		5 <sup>1</sup> / <sub>2</sub>	5 <sup>9</sup> / <sub>16</sub>	3	1 <sup>1</sup> / <sub>2</sub>	(12) 0.148 x 1 <sup>1</sup> / <sub>2</sub>	1,190	12,935
APB66		5 <sup>1</sup> / <sub>2</sub>	5	7 <sup>1</sup> / <sub>4</sub>	5 <sup>8</sup> / <sub>16</sub>	(4) SDWS22512DBB w/ STN	765	9,045
APVB66		5 <sup>1</sup> / <sub>2</sub>	5	7 <sup>1</sup> / <sub>4</sub>	5 <sup>8</sup> / <sub>16</sub>	(4) SDWS22512DBB w/ STN	765	9,045
CPT66Z		5 <sup>3</sup> / <sub>8</sub>	5 <sup>3</sup> / <sub>8</sub>	5 <sup>3</sup> / <sub>4</sub>	(2) 1 <sup>1</sup> / <sub>2</sub>	(3) 1 <sup>1</sup> / <sub>2</sub> x 4 <sup>3</sup> / <sub>4</sub> dowel	2,515	10,720
ABW7-7Z	8x8	7 <sup>5</sup> / <sub>16</sub>	7 <sup>5</sup> / <sub>16</sub>	3	1 <sup>1</sup> / <sub>2</sub>	(12) 0.148 x 3	840	17,370
APB88		7 <sup>1</sup> / <sub>2</sub>	7	10 <sup>9</sup> / <sub>16</sub>	(2) 5 <sup>8</sup> / <sub>16</sub>	(8) SDWS22312DBB w/ STN	1,805	18,665
APVB88		7 <sup>1</sup> / <sub>2</sub>	7	10 <sup>9</sup> / <sub>16</sub>	(2) 5 <sup>8</sup> / <sub>16</sub>	(8) SDWS22312DBB w/ STN	1,805	18,665



1. Uplift loads have been increased for wind or earthquake with no further increase allowed; reduce where other loads govern.
2. Downloads may not be increased for short-term loading.
3. Specifier to design concrete for uplift capacity.
4. ABU allowable loads listed are for applications with nails only. Bolted connections have not been evaluated.
5. Downloads shall be reduced where limited by the capacity of the post. Contact Woodtone for information on post capacities.
6. WoodTone RealPost net outside dimensions: 4x4 = 3<sup>3</sup>/<sub>16</sub>" x 3<sup>3</sup>/<sub>16</sub>", 6x6 = 5<sup>5</sup>/<sub>8</sub>" x 5<sup>5</sup>/<sub>8</sub>", 8x8 = 7<sup>5</sup>/<sub>16</sub>" x 7<sup>5</sup>/<sub>16</sub>".
7. **Fasteners:** Nail dimensions in the table are listed diameter by length. SDWS22312DBB = 0.22" dia. x 3<sup>1</sup>/<sub>2</sub>" long inserted through STN22 washer, SDWS22512DBB = 0.22" dia. x 5<sup>1</sup>/<sub>2</sub>" long inserted through STN22 washer. Dowels are provided with CPTZ.

## Simpson Strong-Tie® Standoff Bases Tested with RealPost Columns from Woodtone

Model No.	Woodtone RealPost Size	Dimensions (in.)			Fasteners (in.)		Allowable Download (lb.) (100)
		W	L	H	Anchor Dia.	Post	
CPS4	4x4	3¼	3¼	1	¾	(4) 0.148 x 3	5,480
CPS6	6x6	5⅝	5⅝	1	¾	(4) 0.148 x 3	9,010
CPS7	8x8	7¼	7¼	1¼	¾	(4) 0.148 x 3	9,595

- Downloads may not be increased for short-term loading. No uplift loads apply.
- Specifier to design positive attachment to foundation.
- Downloads shall be reduced where limited by the capacity of the post. Contact Woodtone for information on post capacities.
- WoodTone RealPost net outside dimensions: 4x4 = 3⅝" x 3⅝", 6x6 = 5⅝" x 5⅝", 8x8 = 7⅞" x 7⅞".
- Nail dimensions in the table are listed diameter by length.

## Simpson Strong-Tie ECBQ Column Bases Tested with RealPost Columns from Woodtone

Model No.	Woodtone RealPost Size	Dimensions (in.)			Fasteners			Allowable Loads (lb.)					
		W	L	H	Base		Post (in.)	On Concrete		Over DF/SP Header		Over SPF Header	
					To Concrete <sup>2,5</sup>	To Wood <sup>1</sup>		Uplift (160)	Download (100/115/125)	Uplift (160)	Download (100/115/125)	Uplift (160)	Download (100/115/125)
ECBQ66-SDS	6x6	5½	5¼	5⅞	(1) THD50600H	(4) SDS25112	(16) 0.148 x 1½	1,675	11,095	1,085	8,510	765	6,400
ECBQ88-SDS	8x8	7¼	7	7⅞	(1) THD50600H	(4) SDS25112	(16) 0.148 x 1½	1,675	11,275	1,085	10,590	765	7,965

- Where noted in table above, alternate Simpson SDS screw lengths may be used as specified by the designer of record for a maximum allowable uplift of 1,675 lb. when installed on a wood base directly below the ECBQ post base. SDS screws not provided with ECBQ post base and must be purchased separately.
- The ½" dia. x 6" long Titen HD® anchor listed assumes uncracked concrete with a 2,000 psi minimum concrete strength, a minimum 2¼" edge, 5¼" of embedment into concrete and one (1) standard round washer. Alternate anchors may be specified by the designer of record. Two (2) ½" standard round cut washers required between alternate anchor bolt nut and post base.
- The allowable download listed is limited by testing and may not be increased. Reduce where limited by the capacity of the post. Contact Woodtone for information on post capacities.
- The allowable download listed over wood headers is limited by bearing perpendicular to grain and requires full bearing of the post base on the wood header.
- Titen HD ½" dia. x 6" long (THD50600H) not provided with ECBQ post base and must be purchased separately.
- WoodTone RealPost net outside dimensions: 4x4 = 3⅝" x 3⅝", 6x6 = 5⅝" x 5⅝", 8x8 = 7⅞" x 7⅞".
- Nail dimensions in the table are listed diameter by length. SDS25112 = 0.250" dia. x 1½" long.

## Simpson Strong-Tie Post Caps Tested with RealPost Columns from Woodtone

Model No.	Woodtone RealPost Size	W (in.)	Fasteners (in.)		Allowable Uplift Load (lb.) (160)	
			Post	Beam	PC	EPC
PC4Z / EPC4Z	4x4	3⅝	(8) 0.148 x 3	(10) 0.148 x 3	1,005	1,005
			(8) SD9112	(10) SD9112	1,795	1,165
PC6Z / EPC6Z	6x6	5½	(8) 0.148 x 3	(10) 0.148 x 3	925	900
			(8) SD9112	(10) SD9112	1,465	1,400
PC8Z / EPC8Z	8x8	7½	(8) 0.148 x 3	(10) 0.148 x 3	730	730
			(8) SD9112	(10) SD9112	1,280	1,280

Model No.	Woodtone RealPost Size	W (in.)	Fasteners (in.)		Allowable Uplift Load (lb.) (160)
			Post	Beam	
LCE4	4x4	5⅝	(14) 0.162 x 3½	(10) 0.162 x 3½	1,395

- Allowable loads have been increased for wind or earthquake with no further increase allowed; reduce where other loads govern.
- Loads for LCE4 apply only when used in pairs.
- Uplift loads do not apply to splice conditions. Spliced conditions must be detailed by the designer to transfer tension loads between spliced members by means other than the post cap.
- Lateral load for LCE4 is 1,425 lb. Lateral loads for PCZ/EPCZ post caps have not been evaluated.
- Woodtone RealPost net outside dimensions: 4x4 = 3⅝" x 3⅝", 6x6 = 5⅝" x 5⅝", 8x8 = 7⅞" x 7⅞".
- Nail dimensions in the table are listed diameter by length. SD9112 = 0.131" dia. x 1½" long.

# AbsolutePost™ – Load-Rated Columns from Woodtone

## Simpson Strong-Tie® Post Bases Tested with AbsolutePost Columns from Woodtone

Model No.	Woodtone AbsolutePost Size	Dimensions (in.)			Fasteners (in.)		Allowable Loads (lb.)	
		W	L	H	Anchor Dia.	Post	Uplift (160)	Download (100)
ABU66Z	6x6	5½	5	6⅞	⅝	(12) 0.148 x 1½	1,950	12,625
ABW66Z		5½	5⅞	3	½	(12) 0.148 x 1½	900	12,935
APB66		5½	5	7¼	⅝	(4) SDWS22312DBB w/ STN	765	9,045
APVB66		5½	5	7¼	⅝	(4) SDWS22312DBB w/ STN	765	9,045
ABU88Z	8x8	7½	7	7	(2) ⅝	(18) 0.148 x 1½	2,180	20,060
ABW7-7Z		7⅞	7⅞	3	½	(12) 0.148 x 1½	675	14,530
APB88		7½	7	10⅞	(2) ⅝	(8) SDWS22312DBB w/ STN	1,715	18,665
APVB88		7½	7	10⅞	(2) ⅝	(8) SDWS22312DBB w/ STN	1,715	18,665

- Uplift loads have been increased for wind or earthquake with no further increase allowed; reduce where other loads govern.
- Downloads may not be increased for short-term loading.
- Specifier to design concrete for uplift capacity.
- ABU allowable loads listed are for applications with nails only. Bolted connections have not been evaluated.
- Downloads shall be reduced where limited by the capacity of the post. Contact Woodtone for information on post capacities.
- Woodtone AbsolutePost net outside dimensions: 6x6 = 5½" x 5½", 8x8 = 7¼" x 7¼".
- Fasteners:** Nail dimensions in the table are listed diameter by length. SDWS22312DBB = 0.22" dia. x 3½" long inserted through STN22 washer.

## Simpson Strong-Tie Standoff Bases Tested with AbsolutePost Columns from Woodtone

Model No.	Woodtone AbsolutePost Size	Dimensions (in.)			Fasteners (in.)		Allowable Download (lb.) (100)
		W	L	H	Anchor Dia.	Post	
CPS6	6x6	5⅞	5⅞	1	⅝	(4) 0.148 x 1½	8,335
CPS7	8x8	7¼	7¼	1¼	⅝	(4) 0.148 x 1½	9,320

- Downloads may not be increased for short-term loading. No uplift loads apply.
- Specifier to design positive attachment to foundation.
- Downloads shall be reduced where limited by the capacity of the post. Contact Woodtone for information on post capacities.
- Woodtone AbsolutePost net outside dimensions: 6x6 = 5½" x 5½", 8x8 = 7¼" x 7¼".
- Nail dimensions in the table are listed diameter by length.

## Simpson Strong-Tie ECBQ Column Bases Tested with AbsolutePost Columns from Woodtone

Model No.	Woodtone AbsolutePost Size	Dimensions (in.)			Fasteners (in.)		Allowable Loads (lb.)						
		W	L	H	Base		On Concrete		Over DF/SP Header		Over SPF Header		
					To Concrete <sup>2,5</sup>	To Wood <sup>1</sup>	Uplift (160)	Download (100/115/125)	Uplift (160)	Download (100/115/125)	Uplift (160)	Download (100/115/125)	
ECBQ66-SDS	6x6	5½	5¼	5⅞	(1) THD50600H	(4) SDS25112	(16) 0.148 x 1½	1,675	11,095	1,085	8,510	765	6,400
ECBQ88-SDS	8x8	7¼	7	7⅞	(1) THD50600H	(4) SDS25112	(16) 0.148 x 1½	1,675	11,275	1,085	10,590	765	7,965

- Where noted in table above, alternate Simpson SDS screw lengths may be used as specified by the designer of record for a maximum allowable uplift of 1,675 lb. when installed on a wood base directly below the ECBQ post base. SDS screws not provided with ECBQ post base and must be purchased separately.
- The ½" dia. x 6" long Titen HD® anchor listed assumes uncracked concrete with a 2,000 psi minimum concrete strength, a minimum 2¾" edge, 5¾" of embedment into concrete and one (1) standard round washer. Alternate anchors may be specified by the designer of record. Two (2) ½" standard round cut washers required between alternate anchor bolt nut and post base.
- The allowable download listed is limited by testing and may not be increased.
- The allowable download listed over wood headers is limited by bearing perpendicular to grain and requires full bearing of the post base on the wood header.
- Titen HD ½" dia. x 6" long (THD50600H) not provided with ECBQ post base and must be purchased separately.
- Woodtone AbsolutePost net outside dimensions: 6x6 = 5½" x 5½", 8x8 = 7¼" x 7¼".
- Fasteners:** Nail dimensions in the table are listed diameter by length. SDS25112 = 0.250" dia. x 1½" long.

## Simpson Strong-Tie Post Caps Tested with AbsolutePost Columns from Woodtone

Model No.	Woodtone AbsolutePost Size	W (in.)	Fasteners (in.)		Allowable Uplift Load (lb.) (160)	
			Post	Beam	PC	EPC
PC6Z / EPC6Z	6x6	5½	(8) 0.148 x 1½	(10) 0.148 x 1½	925	900
PC8Z / EPC8Z	8x8	7½	(8) 0.148 x 1½	(10) 0.148 x 1½	730	765

Model No.	Woodtone AbsolutePost Size	W (in.)	Fasteners (in.)		Allowable Uplift Load (lb.) (160)
			Post	Beam	
LPC6Z	6x6	5⅞	(8) 0.148 x 1½	(10) 0.148 x 1½	920

- Allowable loads have been increased for wind or earthquake with no further increase allowed; reduce where other loads govern.
- Uplift loads do not apply to splice conditions. Spliced conditions must be detailed by the designer to transfer tension loads between spliced members by means other than the post cap.
- Woodtone AbsolutePost net outside dimensions: 6x6 = 5½" x 5½", 8x8 = 7¼" x 7¼".
- Loads for LPC6Z apply only when used in pairs.
- Nail dimensions in the table are listed diameter by length.